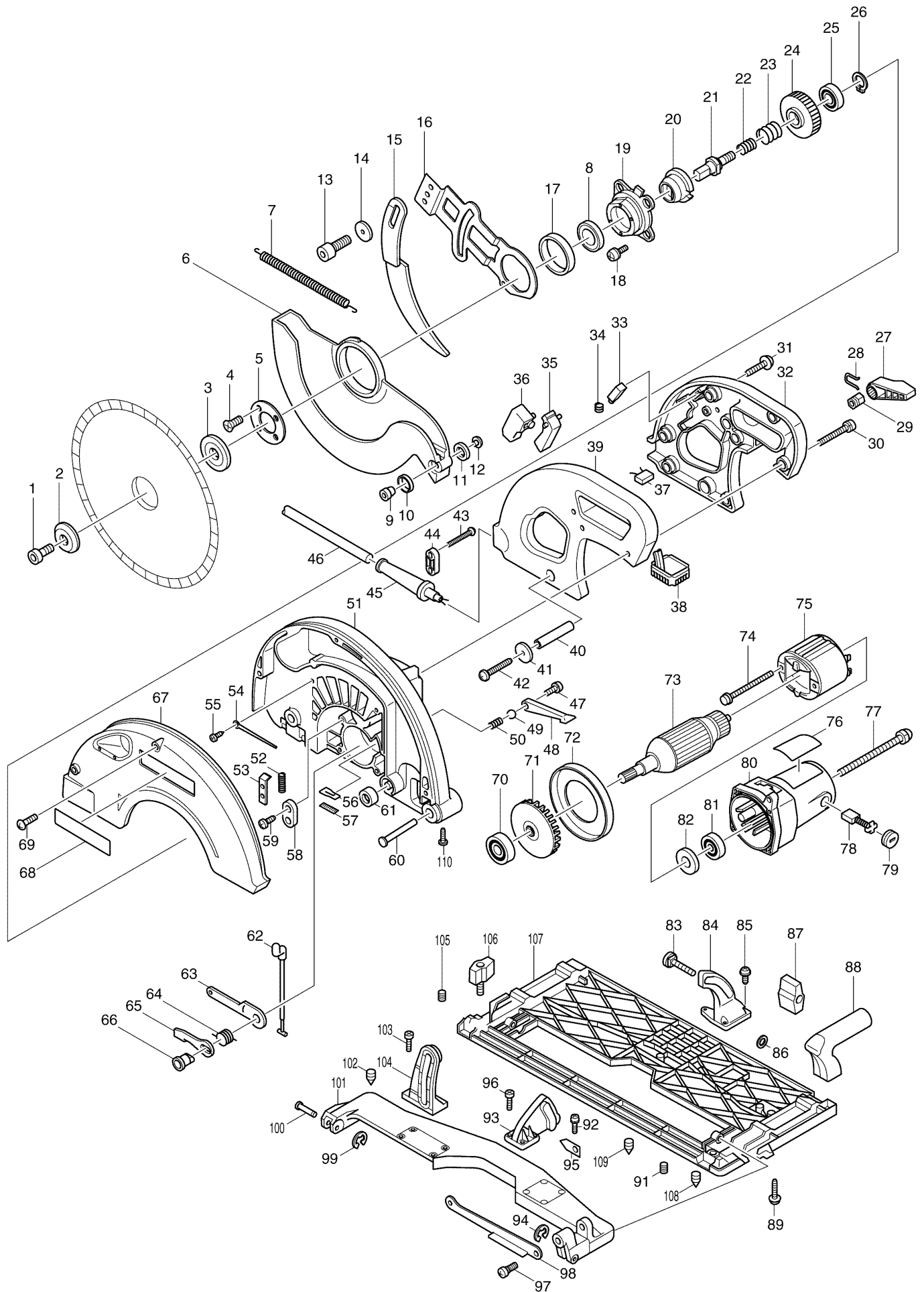


Nr.	Art nr.	Namn
1	266083-2	HEX. SOCKET HEAD BOLT M10X25
2	224327-6	OUTER FLANGE 65
3	224328-4	INNER FLANGE 65
4	912222-9	COUNTERSUNK HEAD SCREW M5X16
5	285683-9	BEARING RETAINER 42-68
6	318063-5	SAFETY COVER
7	231842-3	TENSION SPRING 8
8	211329-1	BALL BEARING 6204DDW
9	415437-2	ROLLER PIN 6
10	415438-0	ROLLER 20
11	415438-0	ROLLER 20
12	415437-2	ROLLER PIN 6
13	922422-3	HEX. SOCKET HEAD BOLT M8X16
14	267284-5	FLAT WASHER 8
15	345751-1	RIVING KNIFE
16	345753-7	RIVING KNIFE HOLDER
17	344304-3	THICKNESS RING
18	911223-4	PAN HEAD SCREW M5X16
19	316753-4	BEARING BOX
20	322830-2	LOCK SLEEVE
21	322828-9	SPINDLE
22	231969-9	LOCK SPRING 20
23	231968-1	LOCK SPRING 27
24	226453-7	HELICAL GEAR 57
25	211104-5	BALL BEARING 6001
26	961052-5	RETAINING RING S-12
27	272230-5	LEVER 54
28	231955-0	RING SPRING 12
29	252134-7	HEX. NUT M8
30	911263-2	PAN HEAD SCREW M5X40
31	266041-8	TAPPING SCREW 5X25
32	182773-8	HANDLE SET
33	415440-3	LOCK-OFF BUTTON
34	231230-4	COMPRESSION SPRING 4
35	415439-8	SWITCH LEVER
36	651923-1	SWITCH TG70B
37	645105-5	NOISE SUPPRESSOR
37	645200-1	NOISE SUPPRESSOR
38	631209-9	CONTROLLER 200/220/240V
39	182773-8	HANDLE SET
40	331469-0	PIPE 9
41	941201-0	FLAT WASHER 8
42	266019-1	CAP SQUARE NECK BOLT M8X98
43	265995-6	TAPPING SCREW 4X18
44	687052-4	STRAIN RELIEF
45	682540-6	CORD GUARD 9.3-90
46	665883-1	POWER SUPPLY CORD 1.0-2-5.0
47	911213-7	PAN HEAD SCREW M5X12

48	416250-1	LEVER 110
49	216004-4	STEEL BALL 7.9
50	231240-1	COMPRESSION SPRING 7
51	158091-6	BLADE CASE COMPLETE
52	233140-1	COMPRESSION SPRING 5
53	344294-0	SHAFT LOCK
54	322829-7	GUIDE ROD
55	266026-4	TAPPING SCREW BIND CT 4X12
56	443098-8	FELT
57	344263-1	PLATE
58	687053-2	STRAIN RELIEF
59	266034-5	TAPPING SCREW CT 4X16
60	268018-9	PIN 10
61	421966-5	CUSHION
62	353017-5	WIRE ROPE
63	344295-8	ARM
64	231625-1	TORSION SPRING 23
65	344296-6	CAM PLATE
66	268009-0	PIN 12
67	415817-2	BLADE CASE COVER
68	819091-8	MAKITA LABEL
69	266036-1	TAPPING SCREW BIND CT 5X20
70	211236-8	BALL BEARING 6002DDW
71	241889-9	FAN 74
72	415768-9	BAFFLE PLATE
73	516668-7	ARMATURE ASS'Y 220/240V
74	911947-2	PAN HEAD SCREW M5X90
75	596323-7	FIELD ASS'Y 220-240V
76	857936-2	NAME PLATE 5143R
77	911288-6	PAN HEAD SCREW M5X65
78	191953-5	Hillet CB-203
79	643700-5	BRUSH HOLDER CAP 7-18
80	158628-9	MOTOR HOUSING 200-240V
81	210042-8	BALL BEARING 629LLB
82	681633-6	INSULATION WASHER
83	923471-3	CAP SQUARE NECK BOLT M8X50
84	316747-9	ANGULAR PLATE GUIDE
85	266036-1	TAPPING SCREW BIND CT 5X20
86	941201-0	FLAT WASHER 8
87	252626-6	WING NUT
88	415815-6	GRIP
89	266041-8	TAPPING SCREW 5X25
91	265993-0	H.S.SET SCREW(CUP POINT)M4X5
92	266026-4	TAPPING SCREW BIND CT 4X12
93	316879-2	ANGULAR PLATE
94	961012-7	STOP RING E-6
95	343902-0	POINTER
96	266036-1	TAPPING SCREW BIND CT 5X20
97	265011-4	+ BINDING HEAD SCREW M5

---

98	345722-8	LINK
99	961012-7	STOP RING E-6
100	268013-9	PIN 8
101	316880-7	BASE BRIDGE
102	266085-8	H.S.SET SCREW(FLAT POINT)M6X10
103	266036-1	TAPPING SCREW BIND CT 5X20
104	316748-7	DEPTH GUIDE
105	265993-0	H.S.SET SCREW(CUP POINT)M4X5
106	251858-2	SCREW M6X15
107	316752-6	BASE
108	266085-8	H.S.SET SCREW(FLAT POINT)M6X10
109	266085-8	H.S.SET SCREW(FLAT POINT)M6X10
110	266026-4	TAPPING SCREW BIND CT 4X12



Nr.	Art nr.	Namn
1	266083-2	HEX. SOCKET HEAD BOLT M10X25
2	224327-6	OUTER FLANGE 65
3	224328-4	INNER FLANGE 65
4	912222-9	COUNTERSUNK HEAD SCREW M5X16
5	285683-9	BEARING RETAINER 42-68
6	318063-5	SAFETY COVER
7	231842-3	TENSION SPRING 8
8	211329-1	BALL BEARING 6204DDW
9	415437-2	ROLLER PIN 6
10	415438-0	ROLLER 20
11	415438-0	ROLLER 20
12	415437-2	ROLLER PIN 6
13	922422-3	HEX. SOCKET HEAD BOLT M8X16
14	267284-5	FLAT WASHER 8
15	345751-1	RIVING KNIFE
16	345753-7	RIVING KNIFE HOLDER
17	344304-3	THICKNESS RING
18	911223-4	PAN HEAD SCREW M5X16
19	316753-4	BEARING BOX
20	322830-2	LOCK SLEEVE
21	322828-9	SPINDLE
22	231969-9	LOCK SPRING 20
23	231968-1	LOCK SPRING 27
24	226453-7	HELICAL GEAR 57
25	211104-5	BALL BEARING 6001
26	961052-5	RETAINING RING S-12
27	272230-5	LEVER 54
28	231955-0	RING SPRING 12
29	252134-7	HEX. NUT M8
30	911263-2	PAN HEAD SCREW M5X40
31	266041-8	TAPPING SCREW 5X25
32	182773-8	HANDLE SET
33	415440-3	LOCK-OFF BUTTON
34	231230-4	COMPRESSION SPRING 4
35	415439-8	SWITCH LEVER
36	651923-1	SWITCH TG70B
37	645200-1	NOISE SUPPRESSOR
38	631209-9	CONTROLLER 200/220/240V
39	182773-8	HANDLE SET
40	331469-0	PIPE 9
41	941201-0	FLAT WASHER 8
42	266019-1	CAP SQUARE NECK BOLT M8X98
43	265995-6	TAPPING SCREW 4X18
44	687052-4	STRAIN RELIEF
45	682540-6	CORD GUARD 9.3-90
46	665883-1	POWER SUPPLY CORD 1.0-2-5.0
47	911213-7	PAN HEAD SCREW M5X12
48	416250-1	LEVER 110

49	216004-4	STEEL BALL 7.9
50	231240-1	COMPRESSION SPRING 7
51	158091-6	BLADE CASE COMPLETE
52	233140-1	COMPRESSION SPRING 5
53	344294-0	SHAFT LOCK
54	322829-7	GUIDE ROD
55	266026-4	TAPPING SCREW BIND CT 4X12
56	443098-8	FELT
57	344263-1	PLATE
58	687053-2	STRAIN RELIEF
59	266034-5	TAPPING SCREW CT 4X16
60	268018-9	PIN 10
61	421966-5	CUSHION
62	353017-5	WIRE ROPE
63	344295-8	ARM
64	231625-1	TORSION SPRING 23
65	344296-6	CAM PLATE
66	268009-0	PIN 12
67	415817-2	BLADE CASE COVER
68	819091-8	MAKITA LABEL
69	266036-1	TAPPING SCREW BIND CT 5X20
70	211236-8	BALL BEARING 6002DDW
71	241889-9	FAN 74
72	415768-9	BAFFLE PLATE
73	516668-7	ARMATURE ASS'Y 220/240V
74	911947-2	PAN HEAD SCREW M5X90
75	596323-7	FIELD ASS'Y 220-240V
76	857936-2	NAME PLATE 5143R
77	911288-6	PAN HEAD SCREW M5X65
78	191953-5	Hillet CB-203
79	643700-5	BRUSH HOLDER CAP 7-18
80	158628-9	MOTOR HOUSING 200-240V
81	210042-8	BALL BEARING 629LLB
82	681633-6	INSULATION WASHER
83	923471-3	CAP SQUARE NECK BOLT M8X50
84	316747-9	ANGULAR PLATE GUIDE
85	266036-1	TAPPING SCREW BIND CT 5X20
86	941201-0	FLAT WASHER 8
87	252626-6	WING NUT
88	415815-6	GRIP
89	266041-8	TAPPING SCREW 5X25
91	265993-0	H.S.SET SCREW(CUP POINT)M4X5
92	266026-4	TAPPING SCREW BIND CT 4X12
93	316879-2	ANGULAR PLATE
94	961012-7	STOP RING E-6
95	343902-0	POINTER
96	266036-1	TAPPING SCREW BIND CT 5X20
97	265011-4	+ BINDING HEAD SCREW M5
98	345722-8	LINK

---

99	961012-7	STOP RING E-6
100	268013-9	PIN 8
101	316880-7	BASE BRIDGE
102	266085-8	H.S.SET SCREW(FLAT POINT)M6X10
103	266036-1	TAPPING SCREW BIND CT 5X20
104	316748-7	DEPTH GUIDE
105	265993-0	H.S.SET SCREW(CUP POINT)M4X5
106	251858-2	SCREW M6X15
107	316752-6	BASE
108	266085-8	H.S.SET SCREW(FLAT POINT)M6X10
109	266085-8	H.S.SET SCREW(FLAT POINT)M6X10
110	266026-4	TAPPING SCREW BIND CT 4X12